



Bookeye<sup>®</sup> 5 V2/V3



## Setup Instructions English

06/2020

---

# Contents

<b>Revision History .....</b>	<b>4</b>
<b>Information about the Instructions and the Manufacturer .....</b>	<b>5</b>
Keep Instructions with the Scanner .....	5
Design Features in Text.....	5
Design Features in Pictures.....	6
Associated Documents .....	6
Copyright .....	7
Contact Data of the Manufacturer in Germany.....	7
Technical Support .....	7
Contact Data of the Manufacturer in the U.S. ....	7
<b>Safety.....</b>	<b>8</b>
Intended Use .....	8
Basic Safety Information.....	8
Responsibility of the Owner .....	9
Staff Qualifications.....	9
Design Features of Warning Notices .....	10
Formatting of Information Regarding Property Damage.....	10
<b>Description .....</b>	<b>11</b>
Purpose and Function .....	11
Bookeye® 5 Overview .....	12
Keyboard Buttons .....	13
Rear View .....	14
Rating Plate.....	15
Serial Number .....	16
User Interfaces.....	16
<b>Device Location.....</b>	<b>17</b>
Environment .....	17
Monitor Positions .....	19

<b>Prepare for Setup .....</b>	<b>20</b>
Connect the Power Supply .....	20
Establish the Network Connection .....	21
Connect the Foot Switch .....	21
Switch On the Scanner .....	22
Switch Off the Scanner .....	24
<b>Perform Setup .....</b>	<b>27</b>
Setup Wizard .....	27
<b>Performing the Adjustments .....</b>	<b>29</b>
Activate the Setup Menu .....	29
<b>Book Cradles .....</b>	<b>33</b>
Additional Scan Buttons .....	33
<b>System Restore .....</b>	<b>34</b>
Solid State Disk Software Failure .....	34
Restore Points .....	34
System Restore to Factory Settings .....	35
System Restore to User Settings .....	36
<b>Cleaning .....</b>	<b>37</b>
<b>Technical Specifications .....</b>	<b>38</b>
Optical System .....	38
Electrical Specifications .....	39
Dimensions and Weight Bookeye® 5 V2 .....	40
Dimensions and Weight Bookeye® 5 V3 .....	40
Ambient Conditions .....	40

## Revision History

Date	Rev.	Name	Description of Change	Reason of Change
05.03.2020	1.0	JKN	First draft	First published version
02.06.2020	1.1	JKN	Second draft	Bookeye 5 V2 - Updates to dimension and weight

## Information about the Instructions and the Manufacturer

These instructions show you how to safely prepare and perform the setup for the book scanners Bookeye® 5 V2 and V3. The Bookeye® 5 V2 and V3 scanners are hereinafter referred to as "Scanner".

### Keep Instructions with the Scanner

These instructions are a part of the scanner.

- Please always store these instructions together with the scanner.
- Ensure that the instructions are available for the user.
- Enclose the instructions when you sell the scanner or transfer it in any other way.

### Design Features in Text

Many text passages in these instructions have been formatted to indicate specific elements, as illustrated below:

Normal text

BUTTONS OF THE SCREEN PAGE

"Menu names"

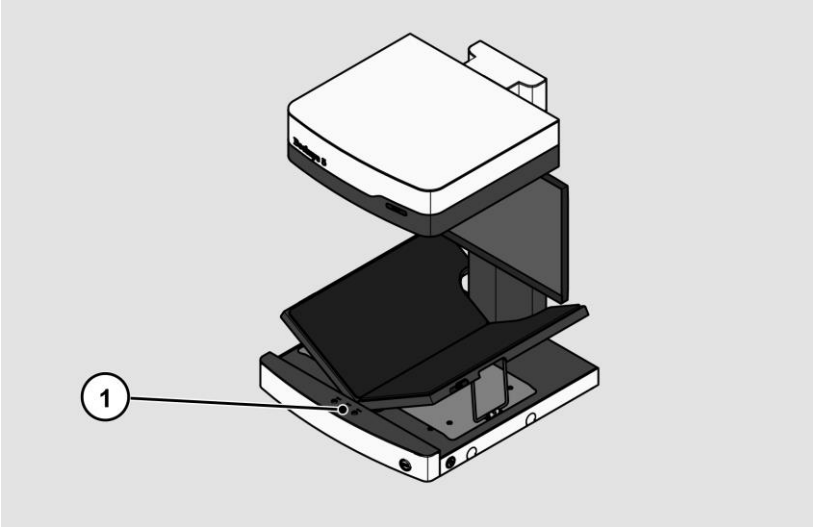
- Action steps
- Enumeration of the first level

*Cross-references*

- ❗ Tips contain additional information, such as special information to prepare for and perform the setup.

## Design Features in Pictures

Where a reference is made to elements in a legend or in the text, these are marked with a number (1).



## Associated Documents

In addition to these instructions, other documents associated with the operation of the scanner include:

- Assembly Instructions
- Legal Information.

## Copyright

These instructions contains information that is subject to copyright. These instructions may not be reproduced in any form, printed, filmed, edited, copied or distributed, in whole or in part, without prior written permission from Image Access GmbH.

© Image Access GmbH 2020

All rights reserved.

## Trademarks

Scan2Net®, Scan2Pad®, Bookeye® and WideTEK® are registered trademarks of Image Access, all other trademarks are the property of their respective owners.

## Contact Data of the Manufacturer in Germany

Image Access GmbH  
Hatzfelderstraße 161-163  
42281 Wuppertal  
Phone: +49-202-27058-0  
E-Mail: [documentation@imageaccess.de](mailto:documentation@imageaccess.de)  
Internet address: [www.imageaccess.de](http://www.imageaccess.de)

## Technical Support

Image Access technical support can be reached at the e-mail address: [support@imageaccess.de](mailto:support@imageaccess.de).

## Contact Data of the Manufacturer in the U.S.

Image Access LP  
2511 Technology Drive, Suite 109  
Elgin  
IL 60124  
Phone: +1-224-293-2585  
E-Mail: [support@imageaccess.us](mailto:support@imageaccess.us)  
Internet address: [www.imageaccess.us](http://www.imageaccess.us)

## Safety

### Intended Use

The scanner is used for scanning images and documents. The documents must comply with the characteristics described in the technical specifications. The scanner is designed for use in enclosed spaces in the commercial sector.

Intended use also includes observing and following all information provided in these instructions, especially the safety instructions. Any other use is considered improper and will void the warranty and liability claims.

### Ambient Conditions

Ensure that the scanner is used exclusively under the following environmental conditions:

- Ambient temperature during operation: 5 to 40 °C (40 to 105 °F)
  - Storage temperature: 0 to 60 °C (32 to 140 °F)
  - Relative humidity: 20 to 80 %, non-condensing
- Ensure that the scanner is not exposed to direct sunlight.

## Basic Safety Information

### Avoid Injury or Death by Electric Shock

- Never open the housing of the scanner.
- Do not expose the scanner to dripping or splashing water and do not place any vessel filled with liquid on the scanner. Penetrating liquid can damage the scanner.
- Do not insert objects through existing slots or openings into the interior of the scanner.
- Only connect the scanner with the plug of the supplied AC adapter to a professionally installed and grounded outlet.
- Do not use the AC adapter if the power supply's housing or the cable are damaged. In this case, replace the power supply with a power supply of the same type.
- Do not use the scanner if it is visibly damaged. In this case, unplug the power cord from the wall outlet. Contact Image Access technical support, see section *Technical Support* starting at page 7.



### **Avoid Burns**

- Do not cover the existing openings in the scanner housing. They serve to ventilate. Covering the openings could cause overheating.
- Do not place the scanner in front of air conditioning units, which produce high heat.

### **Avoid Fractures, Contusions and Bruises**

Incorrect routing of the cables can cause tripping.

- Lay the connecting cables so that no one can trip over them.

The scanner weighs between 29 kg (64 lbs.) and 39 kg (86 lbs.)

- Only carry the scanner with a second person.
- Place the scanner only on a stable, level and vibration-free surface that has sufficient strength for the weight of the scanner.

### **Avoiding Property Damage and Malfunctions**

- Ensure adequate ventilation to comply with the environmental conditions.
- Do not place the scanner in the vicinity of devices that emit strong electromagnetic radiation.
- Always place the scanner on a suitable, stable table or the optional floor stand.
- Do not lean on the scanner.
- Do not use any cleaning agents containing abrasive additives, solvents or acids. Use a damp microfiber cloth.
- Operate the touchscreen only with your finger. Other objects can damage the touchscreen.
- Never lift the scanner by its neck.

### **Responsibility of the Owner**





The scanner owner must ensure that only qualified personnel carry out the setup of the scanner.

### **Staff Qualifications**



The staff that carries out the setup of the scanner must have knowledge in installing, connecting and putting computer accessories into operation.

## Design Features of Warning Notices

In these instructions, the following warning information can be found:

 <b>WARNING</b>	
	Notices with the word <b>WARNING</b> warn about a dangerous situation that could lead to death or serious injuries.
 <b>CAUTION</b>	
	Notices with the word <b>CAUTION</b> warn about a situation that could lead to light or medium-scale injuries.

The following symbols are used in the warnings:

Symbol	Explanation
	Danger from electrical shock
	General danger symbol

## Formatting of Information Regarding Property Damage

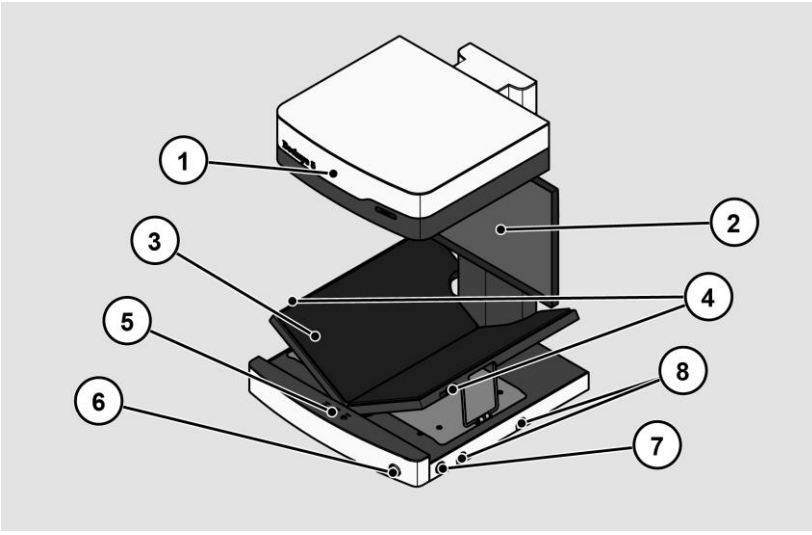
<b>ATTENTION!</b>	
	These notices warn of situations that can lead to property damage.

## **Description**

### **Purpose and Function**

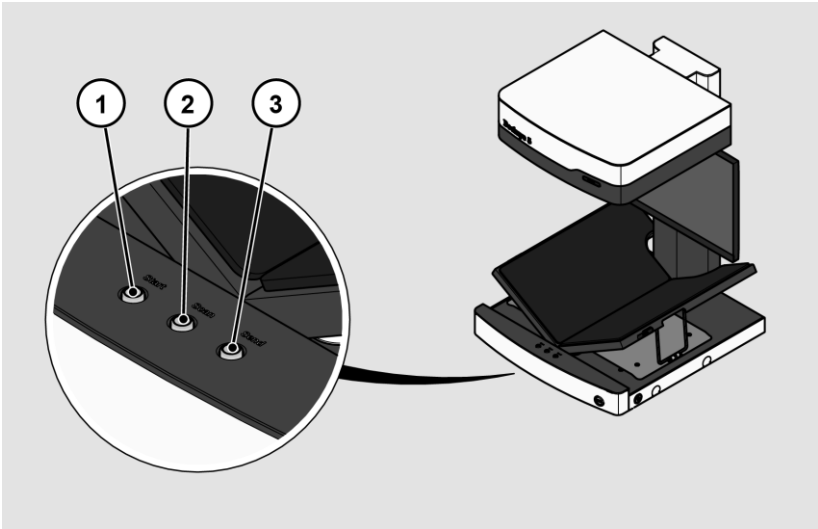
The scanner is used for scanning images and documents. It is designed for use in enclosed spaces in the commercial sector. Intended use also includes observing and following all instructions in these instructions, especially the safety instructions. Any other use is considered improper and will void the warranty and liability claims.

## Bookeye® 5 Overview



No.	Name
1	Camera head
2	Touchscreen
3	V-shaped book cradle
4	Two additional scan buttons
5	Front panel
6	USB port
7	Power button
8	Two mounting locations for the monitor arm

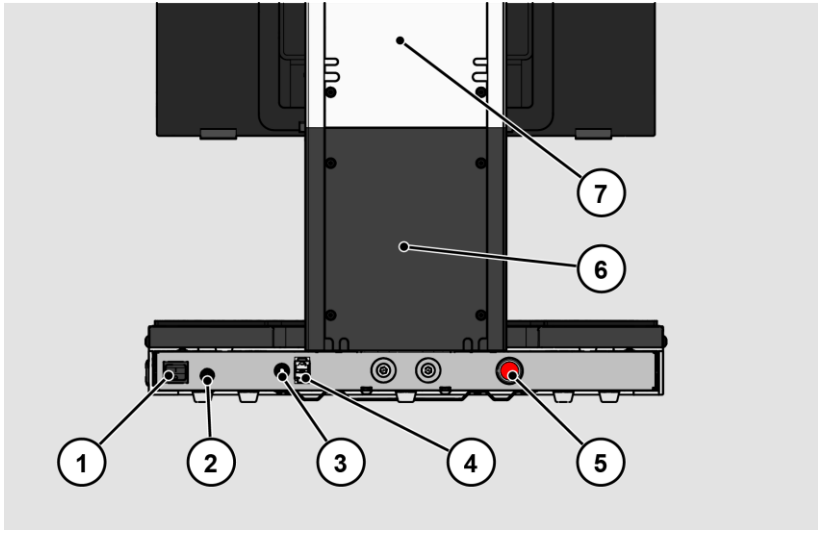
## Keyboard Buttons



The keyboard of a Bookeye® 5 has three buttons with additional functions.

No.	Name	Function
1	Start	Start job
2	Scan	Start scan
3	Send	Send job

### Rear View

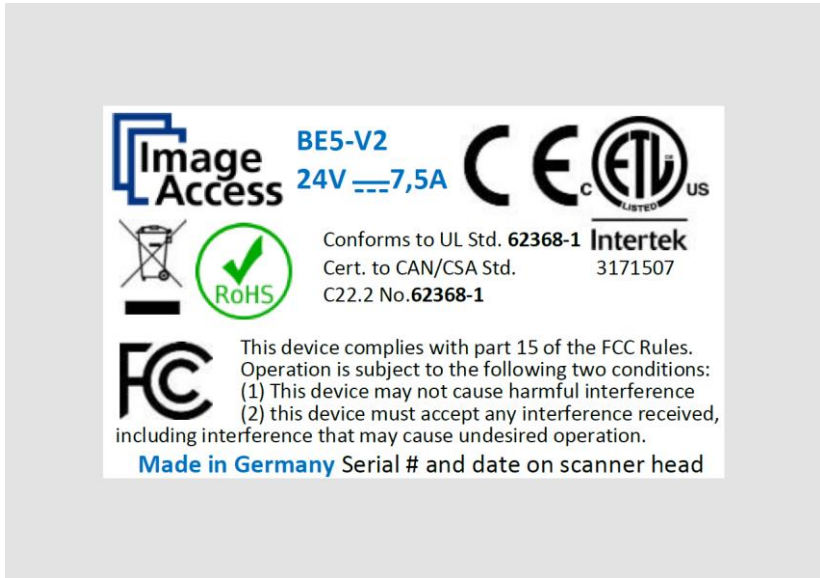


No.	Name
1	Main switch
2	24 V DC connector for external power supply
3	Foot switch connector
4	Network connector
5	Restore button
6	Neck cover lower back
7	Neck cover upper back

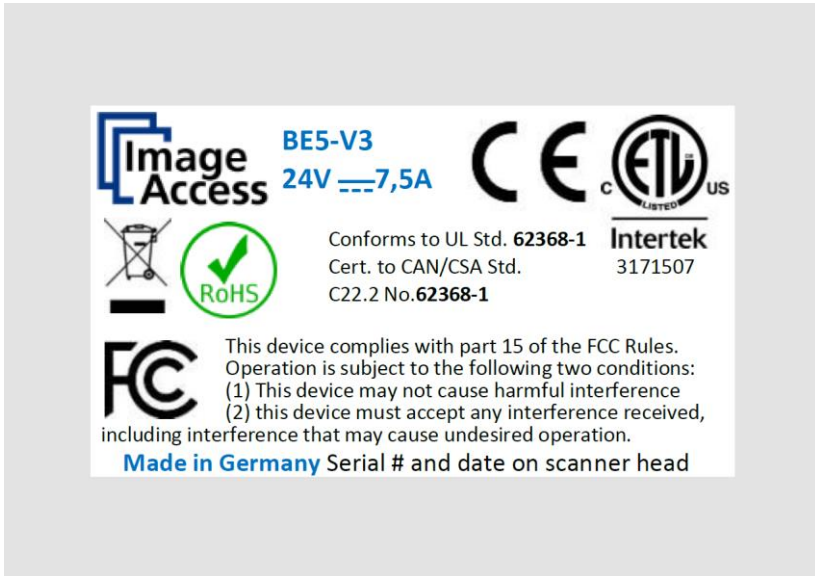
## Rating Plate

The rating plate is attached to the back of the scanner.

The following figure shows the Bookeye® 5 V2 rating plate.



The following figure shows the Bookey® 5 V3 rating plate.



## Serial Number

The serial number of the scanner is located on the back of the scanner head.

Please have the serial number available for support requests.

## User Interfaces

The scanner can be operated in five ways.

- Via the touchscreen and the ScanWizard Touch user interface.
- Via EasyScan or a customer application.
- Via a standard web browser and the ScanWizard Client user interface.
- Via the optional Scan2Pad® hotspot.
- Via external scan applications.



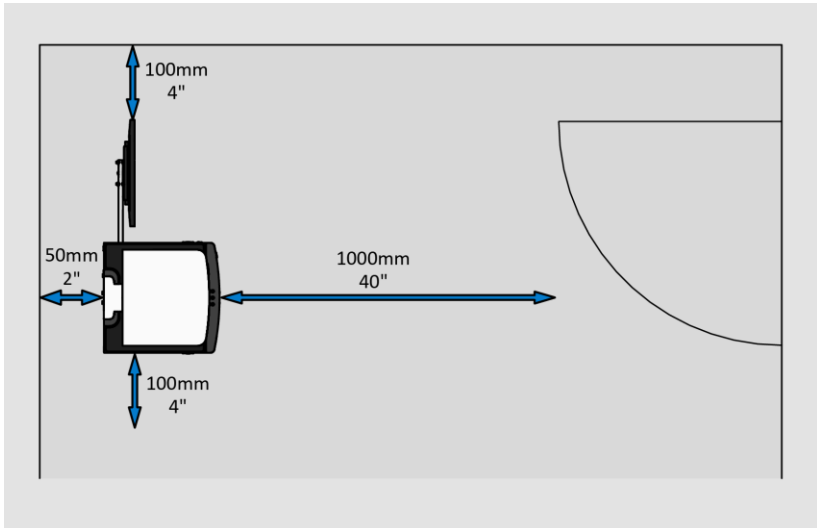
## Device Location

### Environment

Choose a location that complies with the temperature and humidity specifications.

Please allow

- a minimum distance of 100 mm (4 inches) from any side walls,
- a minimum distance of 50 mm (2 inches) from a back wall,
- a minimum distance of one meter (3 feet) from any door or entrance way.



Place the scanner on a flat and solid base. The load bearing capacity of the base must correspond to the device weight (max. 50 kg / 110 lbs.). The dimensions of the base must match the floor space required by the scanner.

- ⓘ Before using the scanner in the new environment allow at least one hour for temperature adaptation.

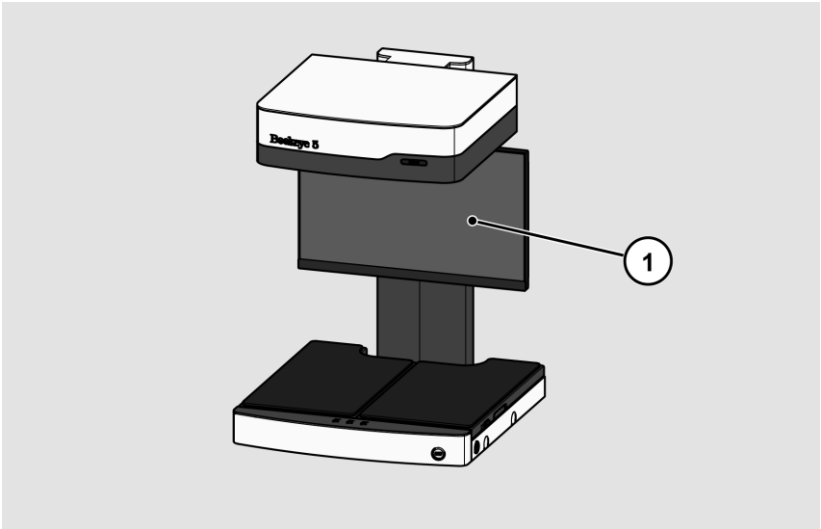
A fast change from cold to warm environmental conditions can build up condensation inside the housing.

This will result in unfavorable scanned images and could cause permanent damages to the unit.

- ❗ The scanner location should have a controlled ambient light situation. The light scenarios should avoid direct sunlight or spotlight from light beams. Also, light sources that cause sharp shadows on the document on the book cradles or high levels of ambient light could negatively influence the scan result.

The scanner is an open system with a built-in high quality light source. Open system means that the ambient light is added to the light seen by the camera. Summary of a recommended location for a scanner: The location is not exposed to daylight. It is evenly illuminated from the ceiling with fluorescent lamps with electronic ballasts. The light intensity measured on the book cradles should be between 300 and 800 lux. The light should not cause any shadows; therefore, the variation of the intensity across the scan area should be kept below 20%. Fluorescent lamps, powered by nonelectronic ballasts, can produce a flicker twice the frequency of the main power supply (100Hz or 120Hz). The same applies to certain simple LED luminaires. If the intensity of this light becomes too high, vertical stripes will be visible on the scan. Direct sunlight will result in overexposed images. Sunlight can also produce distinct shadows. Light beams from spotlights will also change the color of the scans. The scanner has an integrated “White Balance” function. This function will compensate ambient light influences. A “White Balance” calibration is recommended when the light scenario has changed.

## Monitor Positions







The scanner will be delivered with a unattached touchscreen monitor.

For scanner operation, the integrated touchscreen is used via the ScanWizard user interface.

Please follow the Assembly Instructions supplied with the scanner.

## Prepare for Setup

### Connect the Power Supply

 <b>WARNING</b>	
	<p>Risk of electric shock due to incorrect connection.</p> <ul style="list-style-type: none"> <li>➤ Ensure that the power receptacle intended for the connection is properly grounded.</li> <li>➤ Ensure that the power receptacle intended for the connection of the scanner is properly fused.</li> </ul>
 <b>CAUTION</b>	
	<p>Incorrect routing of the connection cables can cause tripping.</p> <p>Fractures, contusions and bruises can be the result.</p> <ul style="list-style-type: none"> <li>➤ Place the connecting cables so that no one can trip over them.</li> </ul>

To connect the power supply, proceed as follows:

- Make sure that the scanner is switched off (0 position).
- Use only the AC adapter and power cable supplied.
- Ensure the power cord is not damaged.
- Connect the power supply to the associated 24 V DC connector on the back of the scanner.
- Connect the power cable to the power supply.
- Connect the power supply to a power receptacle of the appropriate voltage (100-240 V AC).

## Establish the Network Connection

### CAUTION



Incorrect routing of the connection cables can cause tripping.

Fractures, contusions and bruises can be the result.

- Place the connecting cables so that no one can trip over them.

To establish the network connection, proceed as follows:

- Connect one plug of the enclosed network cable to the network connector socket on the back of the scanner.
- Connect the second plug to the network socket of an existing network.

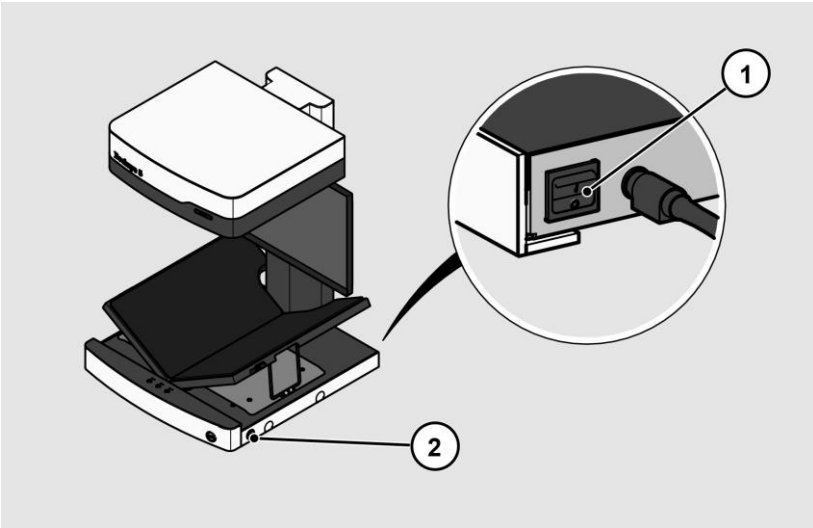
## Connect the Foot Switch

- Connect the plug of the foot switch to the connector socket for the foot switch, located on the back of the scanner.

## Switch On the Scanner

To switch on the scanner, proceed as follows:

- Press the MAIN SWITCH (1) on the back to the "I" position.



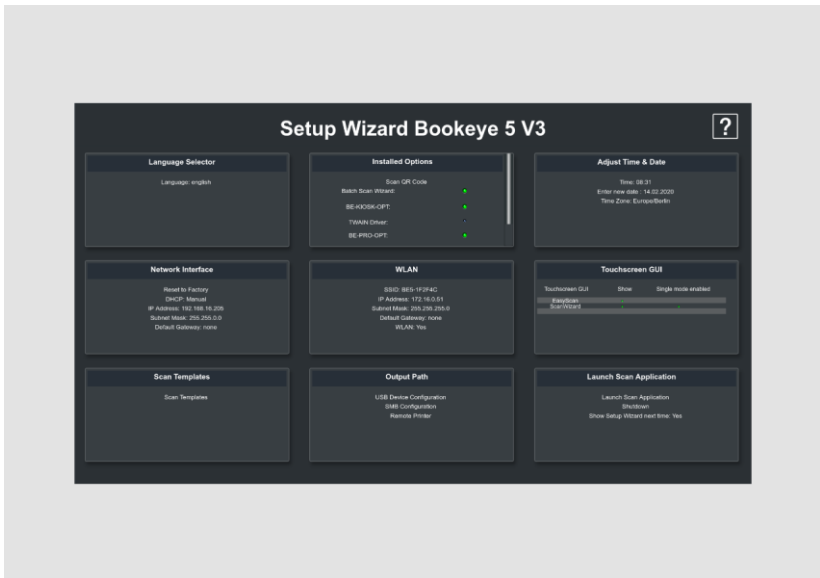
The POWER button (2) does not light up.

- Press the POWER button to wake up the scanner.

The POWER button lights up in blue.

The scanner performs a system test.

After a short wait, the Setup Wizard is displayed on the touchscreen.

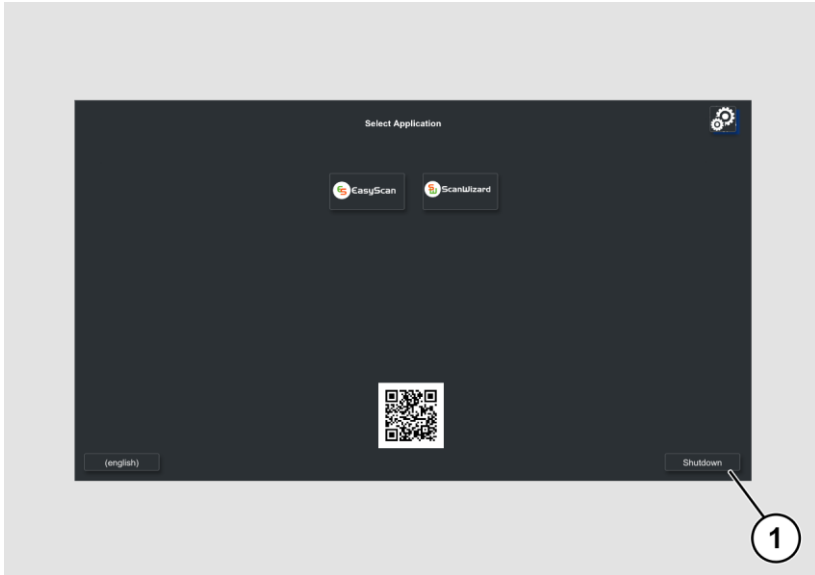


## Switch Off the Scanner

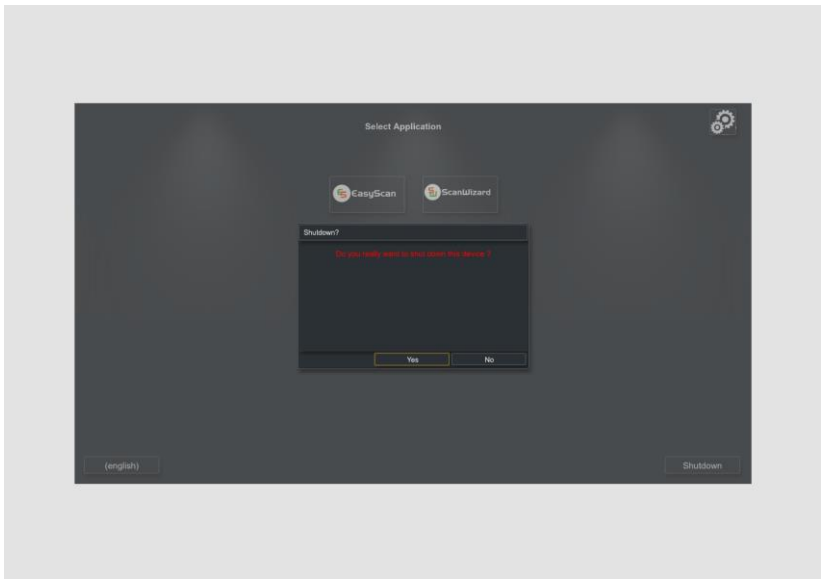
To switch the scanner to standby mode after performing the setup, proceed as follows:

- On the "Application Selection" screen tap on SHUTDOWN (1).

Alternatively, you can also use the POWER button to do this.





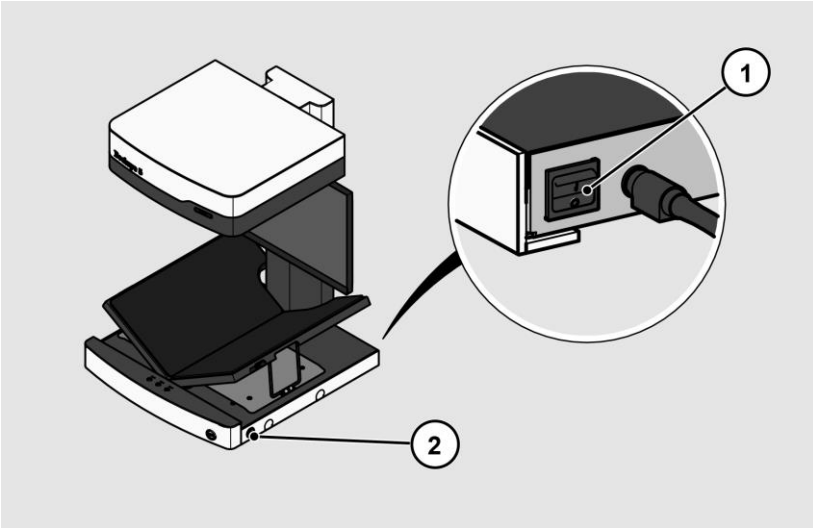


- Confirm with YES.  
The scanner shuts down.  
The scanner is in standby mode.

## Prepare for Setup

To switch off the scanner for longer periods, proceed as follows:

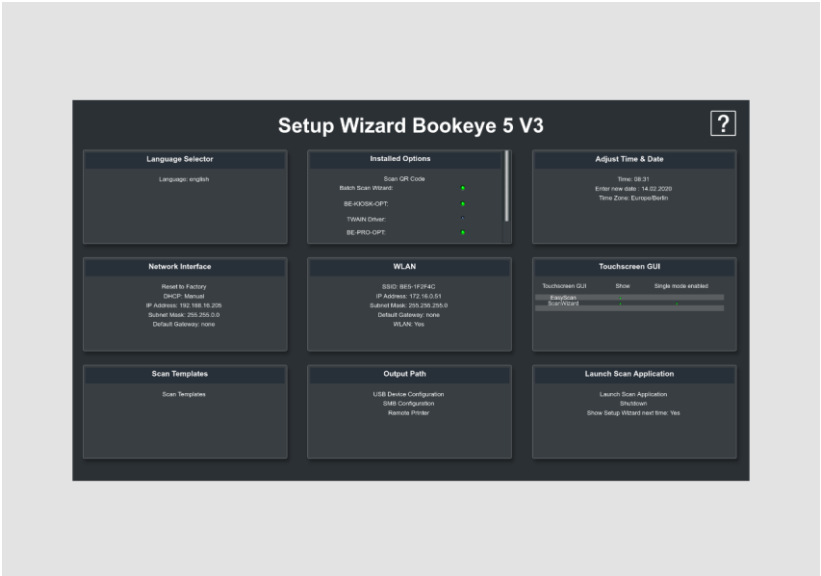
- Make sure that the scanner is in standby mode.
- Press the MAIN SWITCH (1) in the "0" position.



# Perform Setup

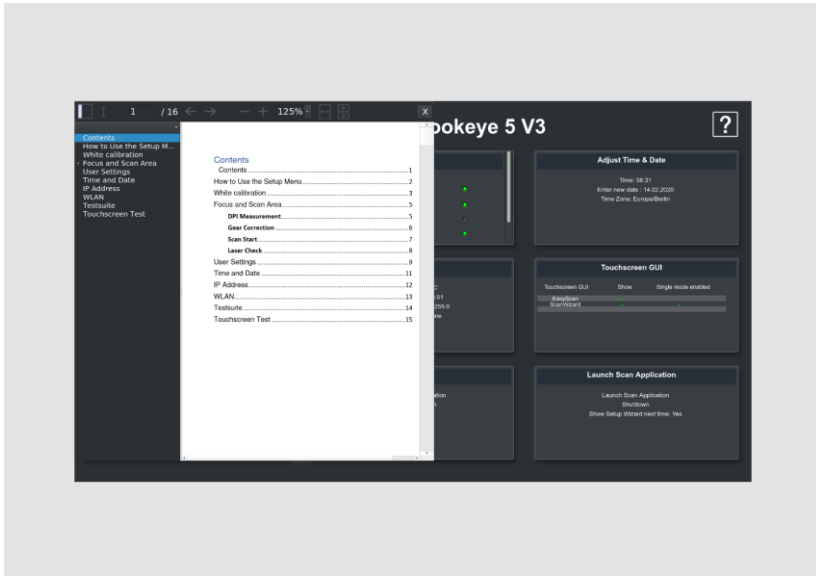
## Setup Wizard

The Setup Wizard is displayed on the touchscreen immediately after the startup process is completed.



The Setup Wizard allows the user to perform the initial settings on the touchscreen of a Scan2Net scanner. After the Setup Wizard has been run through successfully, the scanner can be used immediately without any further necessary settings.

All user interfaces of the Setup Wizard are described in the online help.



To exit the Setup Wizard, you must deactivate it in the LAUNCH SCAN APPLICATION tile.

To start the Setup Wizard after a reboot of the scanner, reactivate it in the SETUP DEVICE section of Scan2net.

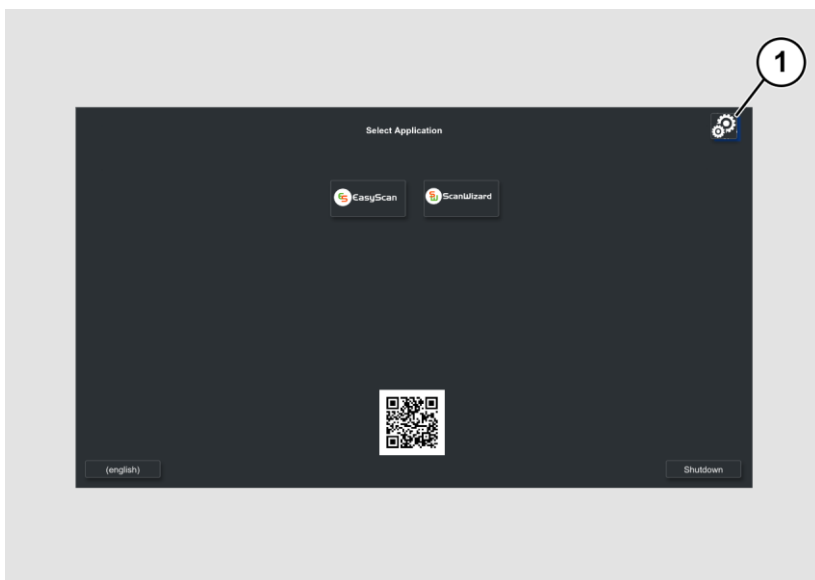
- Open a tab in a web browser and enter the IP address assigned to the scanner.
- The Scan2Net window is displayed.
- Click on SETUP DEVICE, then click POWERUSER.
- Enter "Poweruser" as login name and password.
- Select SETUP WIZARD in the "Administrative Settings" menu.
- In "Setup Wizard" menu, select YES.

## Performing the Adjustments

### Activate the Setup Menu

To activate the setup menu, you must log in on the scanner. Proceed as follows:

- Tap the GEAR SYMBOL (1).



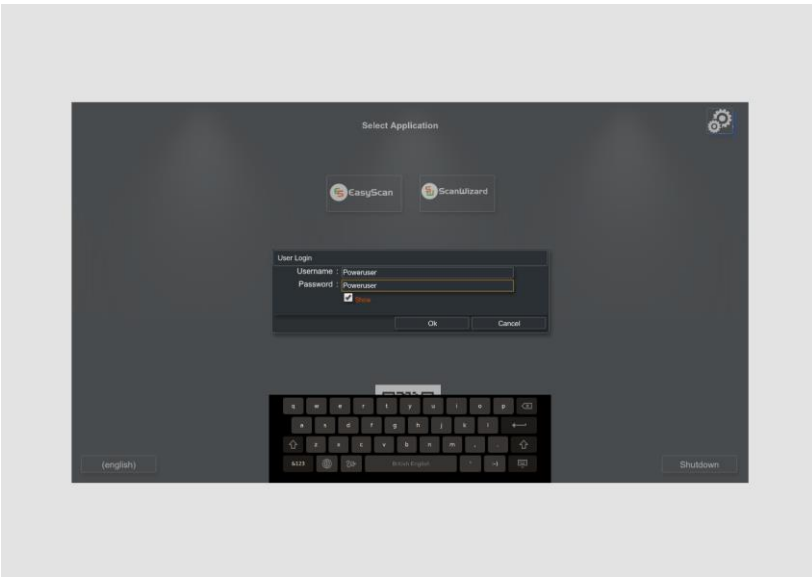
## Performing the Adjustments

The login window appears.

- In the login window, enter the login credentials.
- Tap on the "Username" input field.

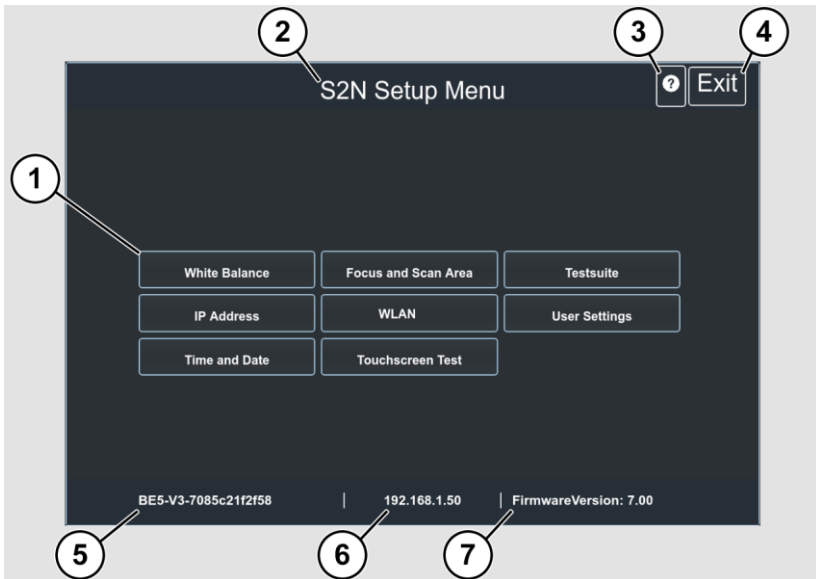
The screen keyboard is displayed.

- Enter the word "Poweruser".
- Tap on the "Password" input field.
- Enter the word "Poweruser".
- Please note that the input is case sensitive in both entry fields.

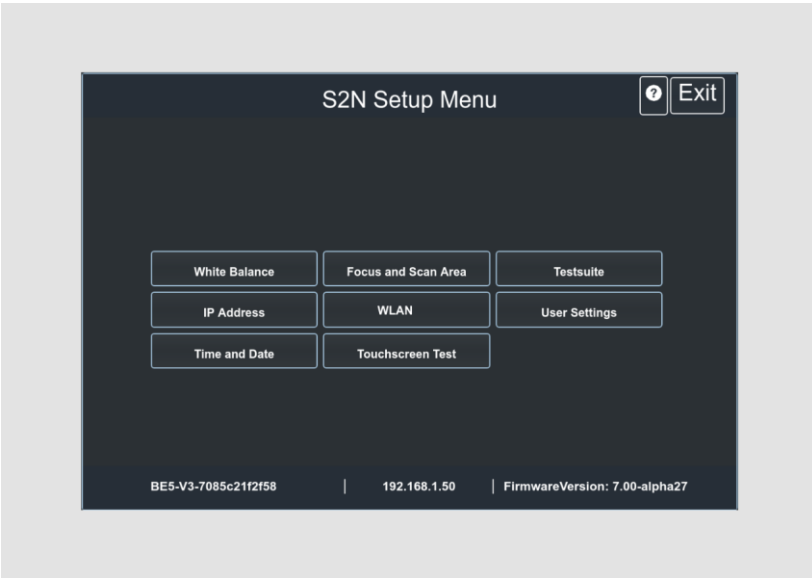


- To complete the log in, press OK.

The "Setup Menu" screen is displayed.

**Setup Menu Overview Screen**


No.	Name
1	Buttons and parameters
2	Menu name
3	Display the online help
4	Button to exit the setup menu and return to the start screen
5	Serial number
6	IP address
7	Firmware version



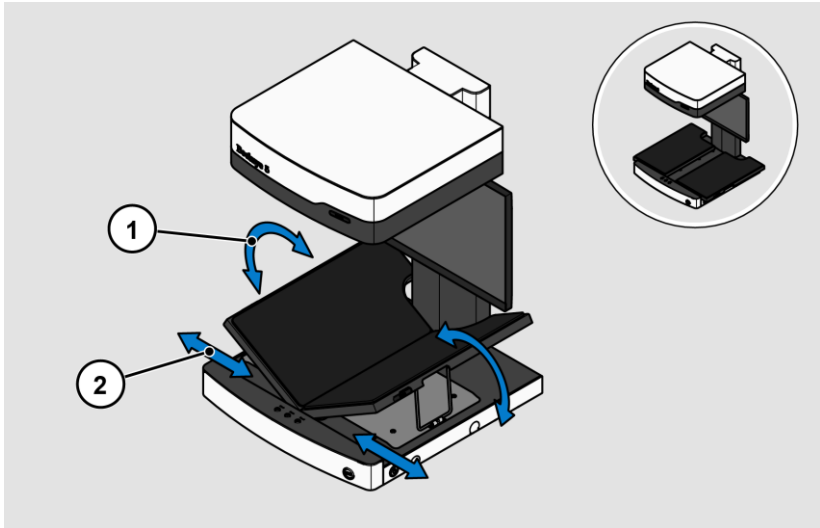
- White Balance:            Display the "White Balance" submenu
- Focus and Scan Area     Display the "Focus and Scan Area" submenu
- Testsuite:                Display the "Test Suite" submenu
- IP Address:                Display the "IP Address" submenu
- User Settings:             Display the "User Settings" submenu
- Time and Date:            Display the "Time and Date" submenu
- Touchscreen Test:        Display the "Touchscreen Test" submenu

- To select a submenu from the "S2N Setup menu" screen, tap with your finger on the button of the screen.
- All user interfaces of the Setup Menu are described in the online help.



## Book Cradles

The Bookeye® 5 V3 scanner has a book cradle which can be operated in two modes. In flat position (180°) or in V position (120°).



The V position is recommended for very delicate, old books and documents. The plates are held in position by a supporting leg on each side.

The plates of the book cradle can be shifted horizontally apart from each other. This allows placing documents with a large spine in a position more beneficial for the book spine. The maximum distance between the book cradle plates is 100 mm (4 inch).

### Additional Scan Buttons

The scanning sequence can also be started by pressing one of the two blue scan buttons, each located on the sides of the book cradle plates, or by pressing the scan button on the keyboard.

## System Restore

### Solid State Disk Software Failure

The file system and the Linux operating system of a Scan2Net scanner are very robust and forgiving. The file system has the ability to repair itself, even if the system loses power during a disk write operation, a condition which will almost certainly corrupt any Windows, Android or MAC OS based computer.

Nevertheless, under certain circumstances it could happen that the Scan2Net Linux software on the SSD becomes corrupt. Unexpected power failures, hard power off cycles via the main power switch without a previously controlled shut down and other unexpected terminations of the operating system may cause this kind type of failure. Also, any uncontrolled interrupt of a firmware update procedure or other functions which involve writing to the main storage (SSD) are a potential risk to the integrity of the firmware on the SSD. The Scan2Net operating system of every WideTEK® or Bookeye® scanner is Linux based and although it happens very rarely, the Linux operating system can be corrupted like any other operating system; whether it is a Windows, Android, Mac or any other OS.

If the Linux operating system or other parts of the SSD are corrupted, there is still no need to replace the SSD, at least not before the restore procedure is executed once. This procedure is similar to the procedures necessary to restore a Windows, Android or Apple OS to a previous state.

### Restore Points

There are up to two backup copies of the Scan2Net Linux operating system stored on the internal SSD. The first one is generated during manufacturing. This is the restore point "Factory Settings". The second one can be generated by the user at any time. This is the restore point "User Settings".

## System Restore to Factory Settings

The restore procedure is a simple process:

Step	Action
1	Shut down the scanner, either through the touch panel, through the currently used application or by pushing the POWER button on the scanner's housing. If this does not work shut down the scanner by the MAIN SWITCH.

- ⓘ Make sure that the following process is not interrupted by a hard shut down or power failures.

If this process is interrupted, a loss of the system restore point is possible, making it mandatory to physically replace the SSD.

- ⓘ The following process cannot be influenced by the user.

Step	Action
2	Make sure that the main power is switched on.
3	Press and hold the red RESTORE button at the back of the scanner before switching it on. Power up the scanner via the POWER button. Important: The RESTORE button must be pressed and then held until it lights up.
4	The restore procedure starts automatically. This process takes about 1 - 2 minutes. At the end, it reboots the scanner.

## System Restore to User Settings

### Set Restore Point

Step	Action
1	Open a tab in a web browser and enter the IP address assigned to the scanner.
2	The Scan2Net window is displayed.
3	Click on SETUP DEVICE, then click POWERUSER.
4	Enter "Poweruser" as login name and password.
5	Select SYSTEM RESTORE in the "RESETS & DEFAULT VALUES" menu.
6	Select SET RESTORE POINT.

Please wait until the process is finished and the READY message is displayed. The process takes about 1 – 2 minutes.

### System Restore

Step	Action
1	Open a tab in a web browser and enter the IP address assigned to the scanner.
2	The Scan2Net window is displayed.
3	Click on SETUP DEVICE, then click POWERUSER.
4	Enter "Poweruser" as login name and password.
5	Select SYSTEM RESTORE in the "RESETS & DEFAULT VALUES" menu.
6	Select RESTORE SYSTEM.

The device will reboot immediately. Then, the System Restore is performed. This process will take about 1 – 2 minutes. Finally, the device will perform a second reboot into the restored system.

End of restore process.

## Cleaning

To keep the scanner in good working condition, ensure that it is free of accumulated dust, ink, grease, and other contamination. The scanners are high resolution optical instruments with high quality glass parts. Since a higher quality scanner makes smaller dirt and dust particles more visible in the scans than a lower quality scanner, special care must be taken to keep all parts and especially all glass parts as clean as possible.

Cleaning intervals are determined by the scanner environment, the types of documents scanned and the usage frequency. The scanner should be cleaned under the following circumstances.

- When sporadic or frequent image quality problems occur.
- When sporadic or frequent crop & deskew issues occur, although the document lies in the proper section of the scan area.
- ❗ To prevent electric shock and other potential damage, make sure that the scanner is switched OFF and unplugged before any cleaning is performed. Do not let any water get inside the scanner.

Proper general cleaning should include the following:

- Use an electric dust cleaner to remove dust from all parts before you continue cleaning other parts of the product. Be careful not to touch parts with the dust cleaner hose.
- Clean the outer surface of the product with a damp cloth. Wet the cloth and wring it out as much as possible. The best results are obtained with a microfiber cloth.
- The glass surfaces of the scanner should only be cleaned with a soft, lint-free cloth.
- Use a mild soap and water solution only if necessary. Do not use abrasive cleaners.
- Wipe the product dry with a soft, lint-free cloth.
- Be especially careful if cleaning the touchscreen.

## Technical Specifications

### Optical System

Maximum Scan Area (V2)	460 x 620 mm (18 x 24.4 inch), 14% more than DIN/ISO A2
Maximum Scan Area (V3)	390 x 480 mm (15.3 x 18.9 inch), 50% more than DIN/ISO A3
Scanner Resolution	400 × 400 dpi (optionally 600 × 600 dpi)
Pixel Dimension	9.3 x 9.3 μm
Minimum Document Size	100 × 100 mm (4 × 4 inch)
Camera	CCD line sensor, 22,500 pixels (11,000 scan lines equals to a 245 MPixel matrix camera)
Live Preview Camera	CMOS matrix, area sensor
Color Depth	48 bit color, 16 bit grayscale
Scan Output	24 bit color, 8 bit grayscale, bitonal, enhanced halftone
File Formats	Multipage PDF (PDF/A) and TIFF, JPEG, JPEG 2000, PNM, PNG, BMP, TIFF (Raw, G3, G4, LZW, JPEG), AutoCAD DWF, JBIG, DjVu, DICOM, PCX, Postscript, EPS, raw data and more

## Electrical Specifications

### External Power Supply

Voltage	100 - 240 V AC
Frequency	47 - 63 Hz
Operating Temperature	0 to 40 °C (40 to 105 °F)
Relative Humidity	20 to 80% (non-condensing)
ECO Standard	CEC Level VI

### Scanner

Voltage	24 V DC
Current	Max. 7.5 A

### Illumination System

Light Source	White LEDs, tested according to IEC 62471, no IR/UV emission
Warm Up Time	None
Temperature Dependency	None
Lamp Lifetime	50,000 hours typ. Lamps are covered by the Extended Warranty Option

### Power Consumption

Sleep	< 0.5 W
Standby	1.5 W
Ready to Scan, Monitor on	40 W
Scanning	110 W

### Dimensions and Weight Bookeye® 5 V2

Scanner Outer Dimensions (H × W × D)	720 x 655 x 645 mm (28 x 26 x 25 inch)
Weight of Scanner	33 kg (73 lbs.)
Dimension Transport Box (H × W × D)	650 × 630 × 800 mm (26 × 25 × 31 inch)
Total Shipping Weight	50 kg (110 lbs.)

### Dimensions and Weight Bookeye® 5 V3

Scanner Outer Dimensions (H × W × D)	720 × 510 × 540 mm (28 × 20 × 21 inch)
Weight of Scanner	29 kg (64 lbs.)
Dimension Transport Box (H × W × D)	650 × 630 × 800 mm (26 × 25 × 31 inch)
Total Shipping Weight	43 kg (95 lbs.)

### Ambient Conditions

Operating Temperature	5 to 40 °C (40 to 105 °F)
Storage Temperature	0 to 60 °C (32 to 140 °F)
Relative Humidity	20 to 80% (non-condensing)
Ambient Luminance	< 800 Lux
Noise	< 42 dB(A) (Scanning) < 33 dB(A) (Standby)

End of document









