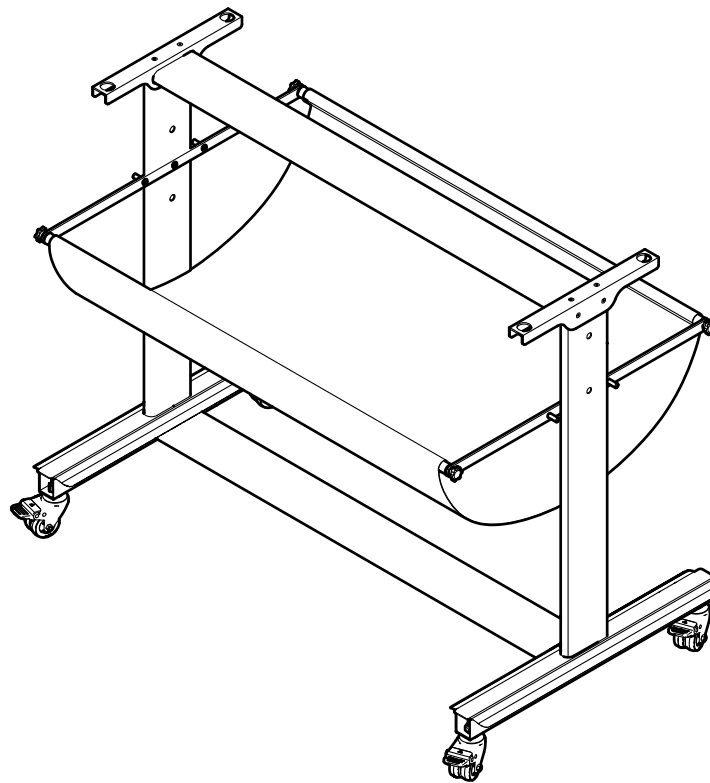


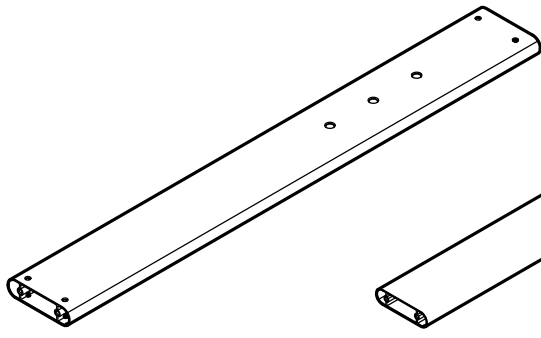
Assembly Instructions

Montageanleitung

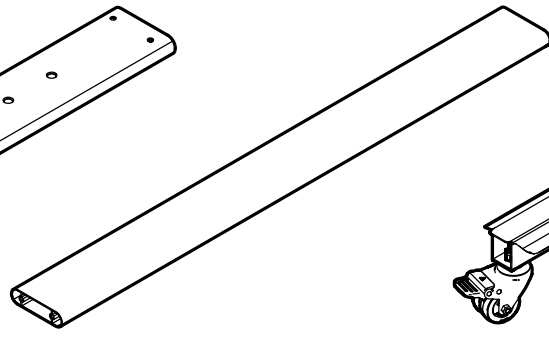
WT36-STAND / WT48-STAND

Floorstand 36"/48" with paper catch

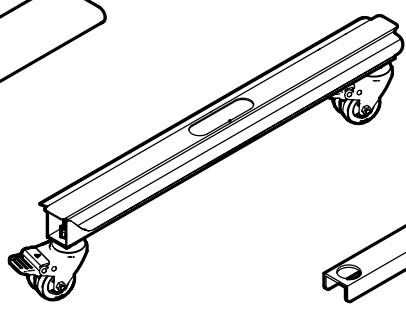




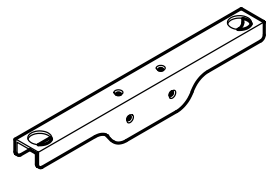
2x



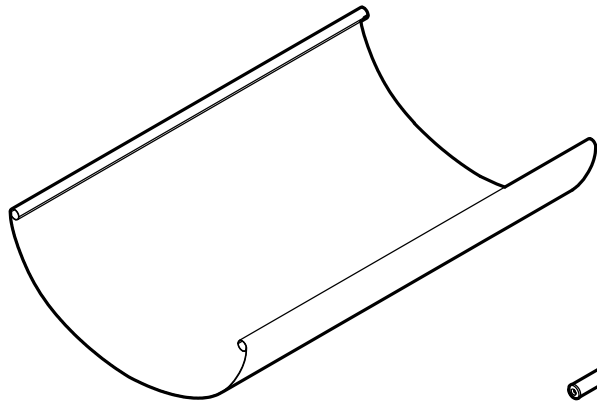
2x



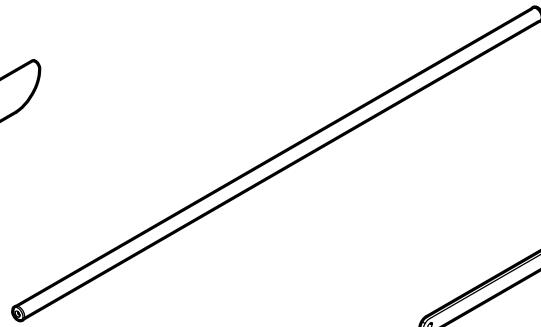
2x



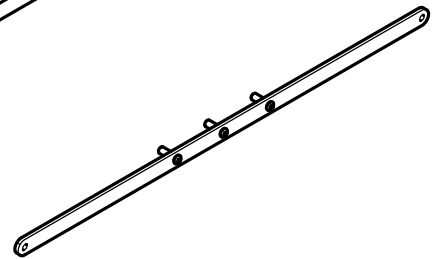
2x



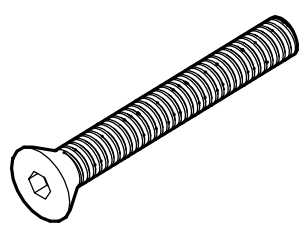
1x



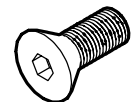
2x



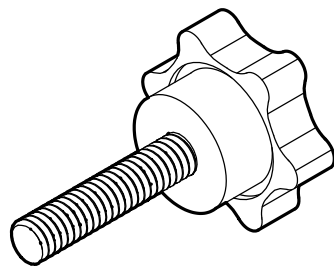
2x



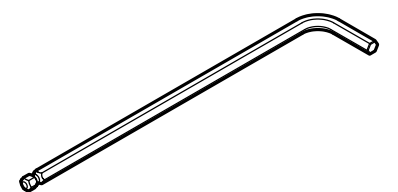
8x



8x

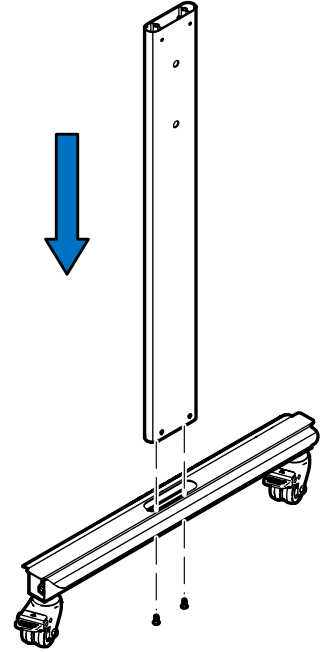
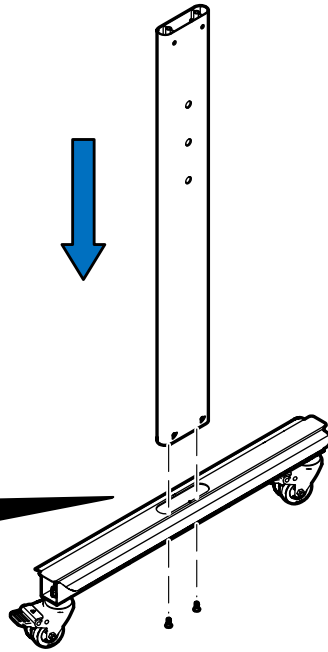
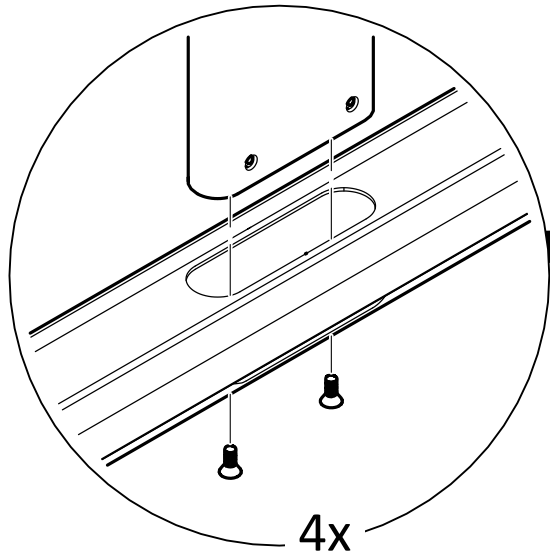


4x

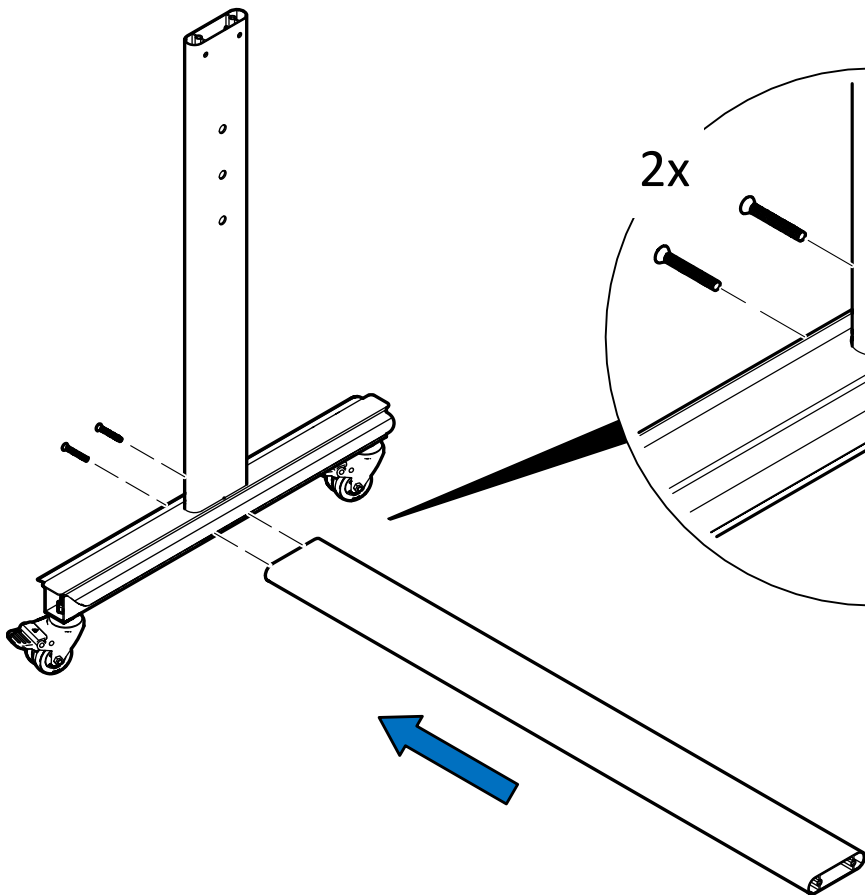


1x

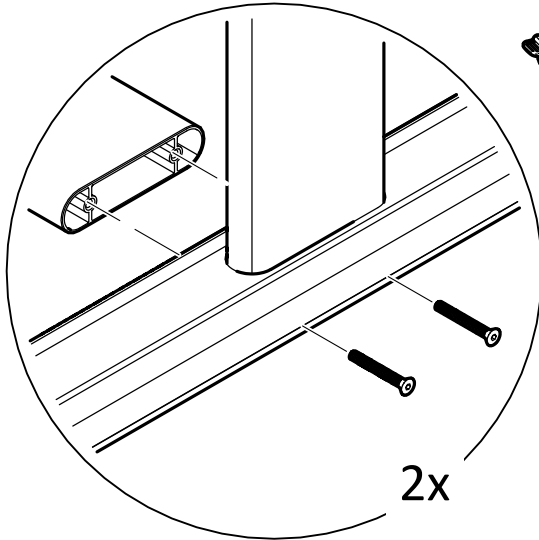
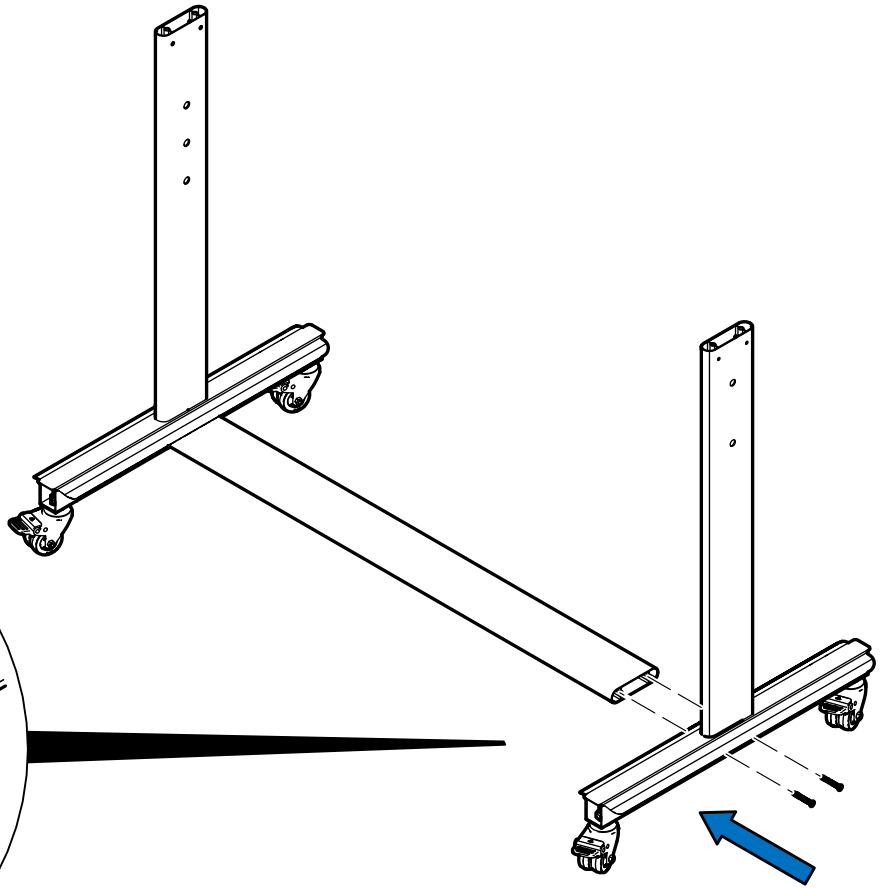
1



2

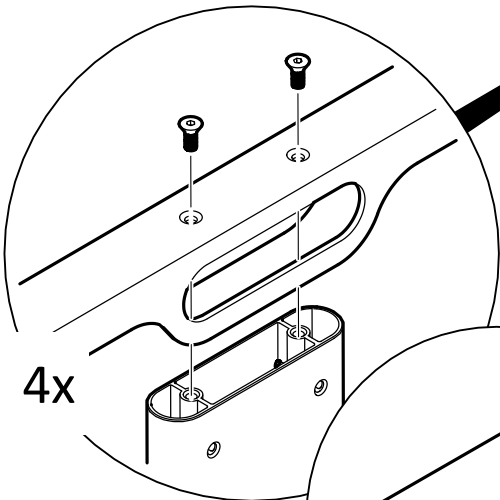
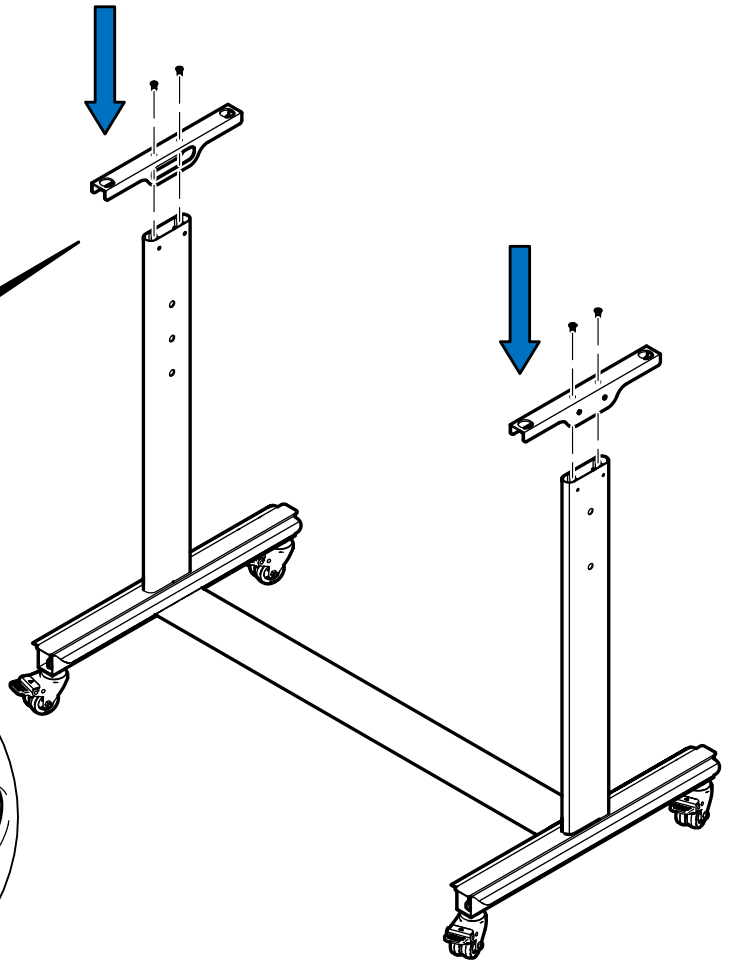


3

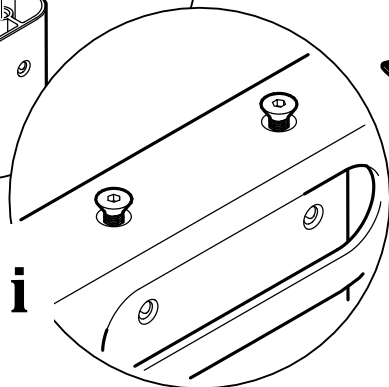


2x

4

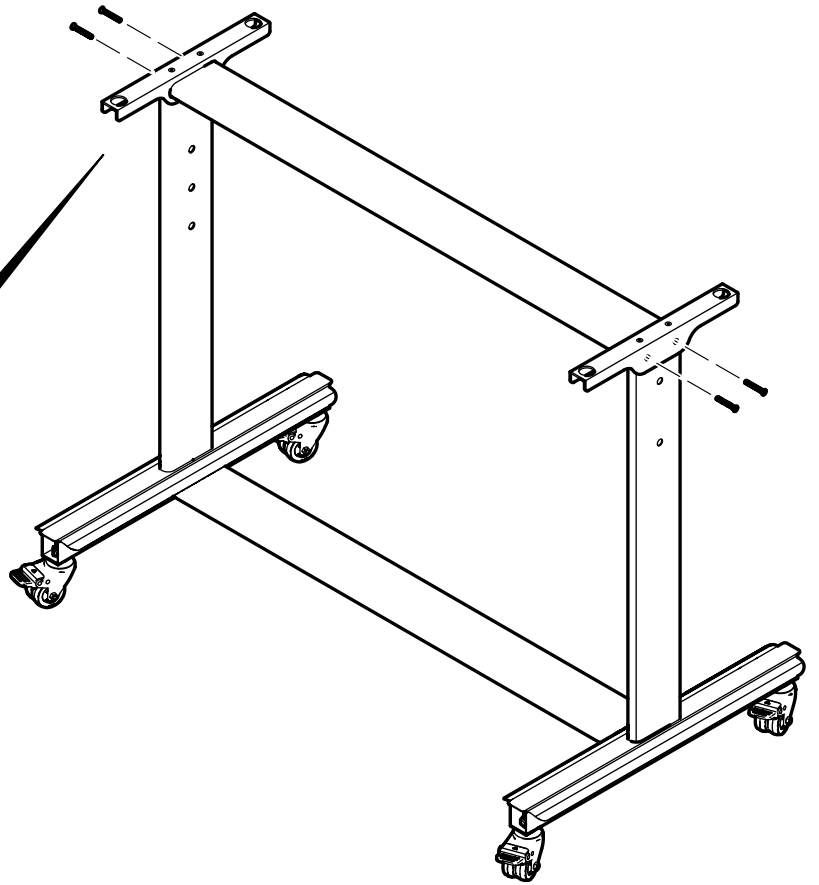
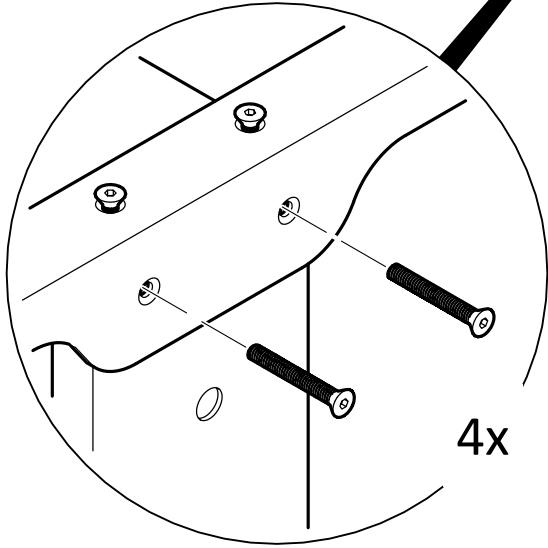


4x

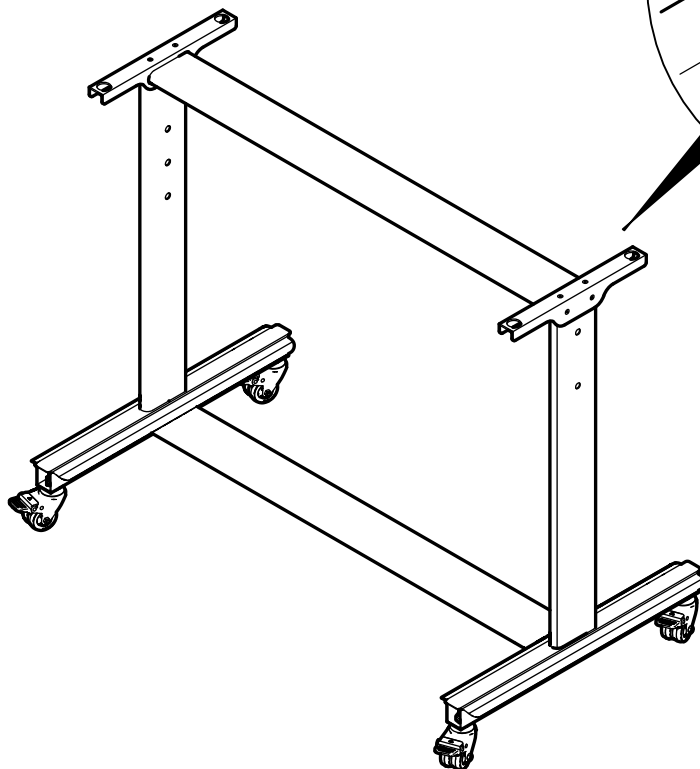
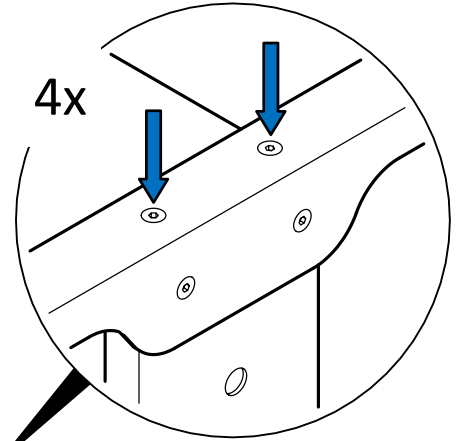


i

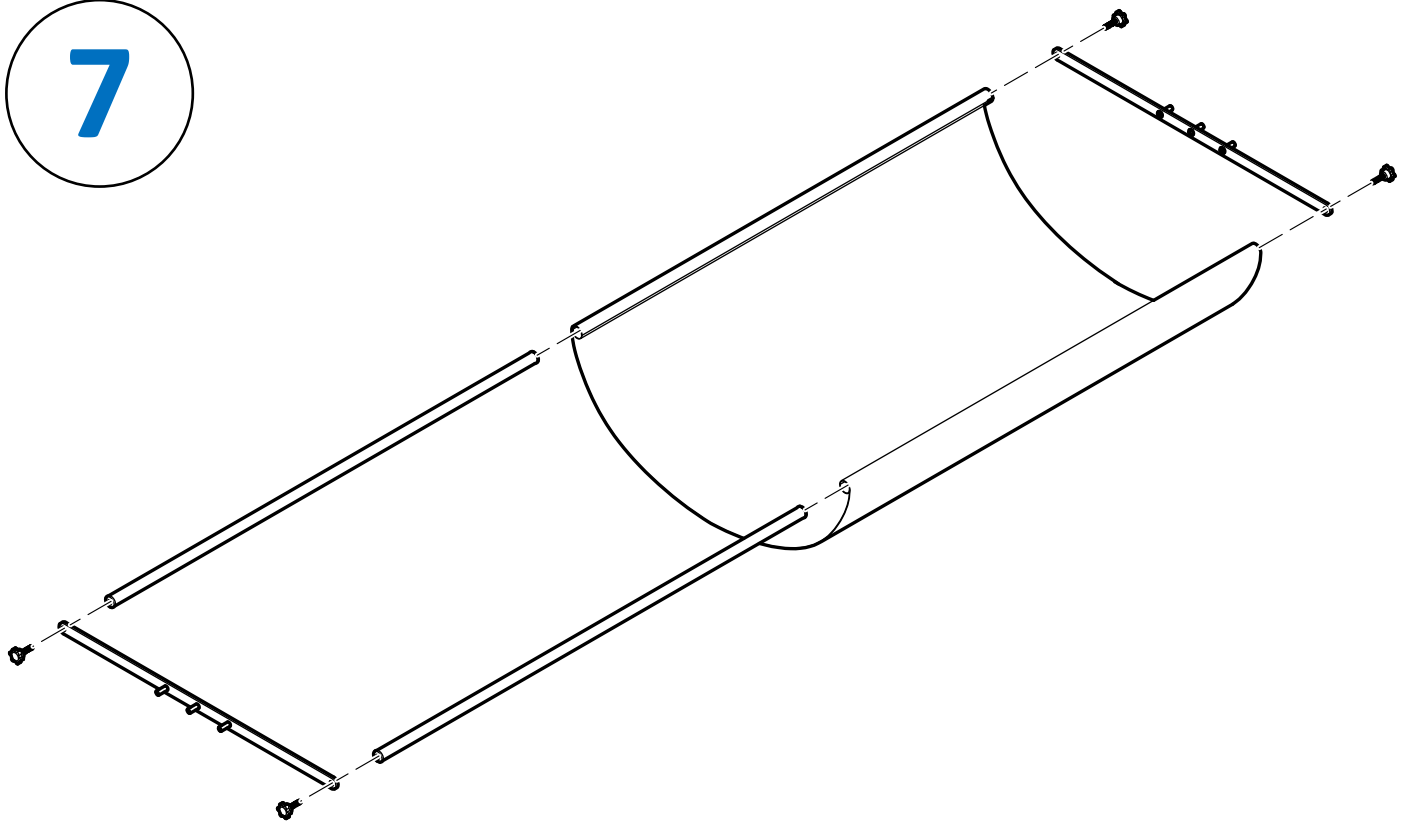
5



6



7



8

